

AT801
Standard Profile



Semi-Custom

Offered in a variety of shapes and sizes and endless customizable options

End to End Connectivity

Using our patent pending coupling mounting clips, A-Track offers an elegant solution no matter how short or long your fixture needs to be

Made in the USA

Fabricated of high quality American aluminum and premium optic diffuser lenses

Custom Lengths

Pre-assembled: ≤ 8 ft. (96 in)

Assembly Required: > 8 ft. (96 in)

Tested as suitable for use within clothing closet spaces by ETL/ Intertek

Must be installed in accordance with NEC 410.16 for use in clothing closet spaces

See separate installation instructions
Patent Pending - Made in the USA



Component of a complete system including: Aion LED A-Track Light Engine, Aion LED A-Track housing with diffuser lens, & Aion LED driver (power supply). Dimmer not included. Approved dimmers, controls, power supplies, cable, & other components only. Contact Aion LED for questions regarding compatibility. Electrician installed. Strictly adhere to NEC & local building code. Limited 5-year warranty against manufacturing defects only; does not cover labor; voided by: inadequate ventilation, field modifications, installation by unqualified personnel, unapproved controls, drivers, cabling, other devices, not following installation guidelines & protocol, general negligence. Installer assumes all liability with regard to property & safety. This product is UL listed. See separate "Aion LED Warranty Terms" & additional instructional materials for more information. Authorized installers only. Systems tested prior to shipping.

Customization Options

AT-Series A-Track fixtures are semi custom and made to order. If an additional option or feature is needed, please contact Aion LED to discuss.



Profile

Standard

Lens

Frosted
Clear
Prismatic

Finish

Anodized Silver
Anodized Dark Bronze
Custom Color

Mounting

Mounting Clips
Pivot Mounting Clips
HD Adhesive backing

Feed

End
Rear
Side

Length

Custom pre-cut
Field Cuttable

Wiring

24" Leads
48" Leads
Custom length leads
M/F Disconnect Plugs
Color: White/ Black

AT Series A-Track orders include: A -Track housing, lens, end caps, end cap screws, wire grommets & mounting clips

Tested as suitable for use within clothing closet spaces by ETL/ Intertek

Must be installed in accordance with NEC 410.16 for use in clothing closet spaces



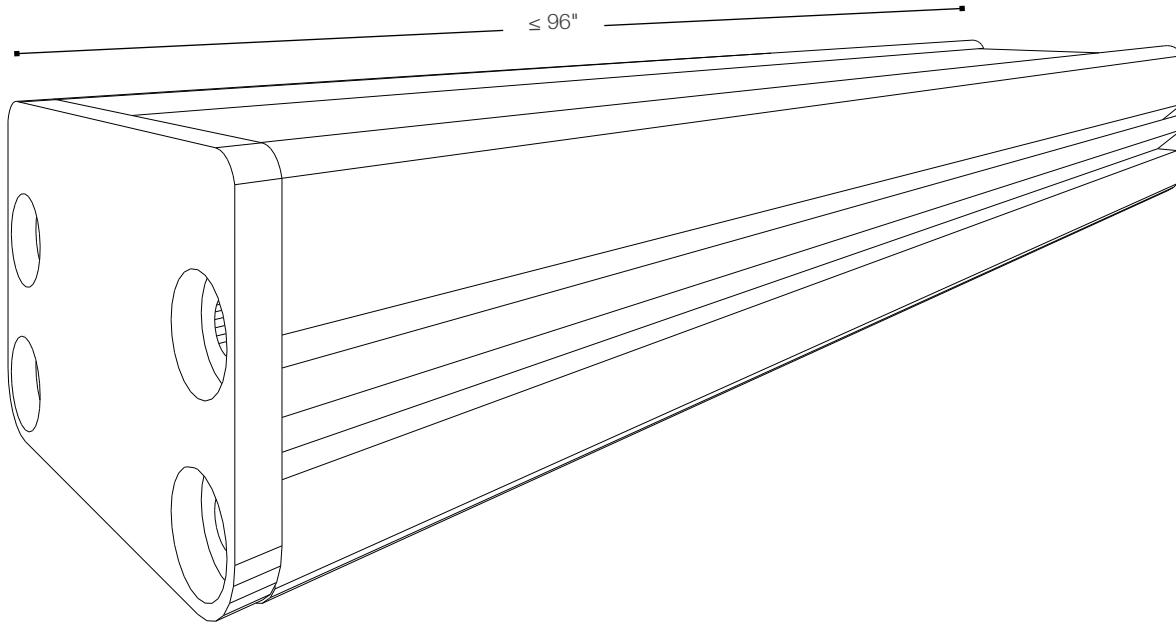
Component of a complete system including: Aion LED A-Track Light Engine, Aion LED A-Track housing with diffuser lens, & Aion LED driver (power supply). Dimmer not included. Approved dimmers, controls, power supplies, cable, & other components only. Contact Aion LED for questions regarding compatibility. Electrician installed. Strictly adhere to NEC & local building code. Limited 5-year warranty against manufacturing defects only, does not cover labor; voided by: inadequate ventilation, field modifications, installation by unqualified personnel, unapproved controls, drivers, cabling, other devices, not following installation guidelines & protocol, general negligence. Installer assumes all liability with regard to property & safety. This product is UL listed. See separate "Aion LED Warranty Terms" & additional instructional materials for more information. Authorized installers only. Systems tested prior to shipping.



AIONLED.COM | (415) 255-AION
Modified: September 12, 2017

© 2017 Aion LED. All Rights Reserved

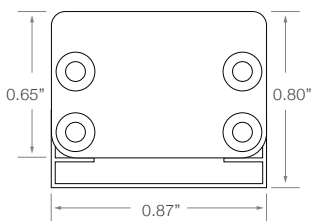
AT801
Standard Profile



NOT TO SCALE

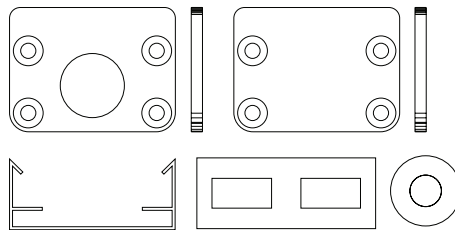
Dimensions

NOT TO SCALE



Accessories

SCALE 1:1



Compatibility

DIRECT VIEW

- 9524-FR
- 6524-LE
- 8000-LE
- 4000-LE

INDIRECT VIEW

- 9524-FR
- 6524-LE
- 8000-LE
- 4000-LE
- 3000-LE
- 8924-CT3022-LE
- 8924-RGBW-LE
- 7000-RGB
- 5000-RGB

Component of a complete system including: Aion LED A-Track Light Engine, Aion LED A-Track housing with diffuser lens, & Aion LED driver (power supply). Dimmer not included. Approved dimmers, controls, power supplies, cable, & other components only. Contact Aion LED for questions regarding compatibility. Electrician installed. Strictly adhere to NEC & local building code. Limited 5-year warranty against manufacturing defects only; does not cover labor; voided by: inadequate ventilation, field modifications, installation by unqualified personnel, unapproved controls, drivers, cabling, other devices, not following installation guidelines & protocol, general negligence. Installer assumes all liability with regard to property & safety. This product is UL listed. See separate "Aion LED Warranty Terms" & additional instructional materials for more information. Authorized installers only. Systems tested prior to shipping.

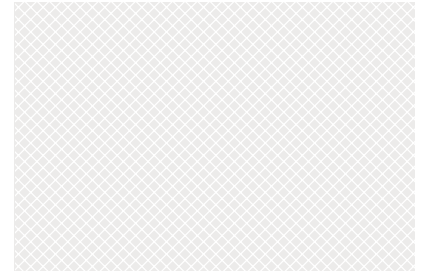
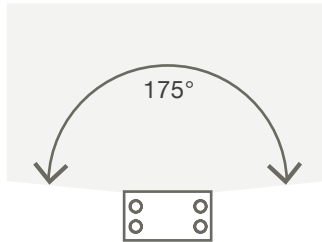
AION LED OPTICS

UV stabilized and won't yellow in direct sunlight

Frosted

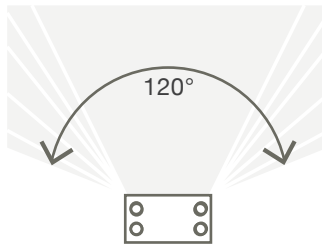
Widest Angle
Mid-Transmittance
100% Diffusion

See direct view for
compatible light engines



Prismatic

Wider Angle
High Transmittance
Mid Range Diffusion



Clear

Wide Angle
Maximum Transmittance
Zero Diffusion
Clear lens is recommended for
indirect applications.

