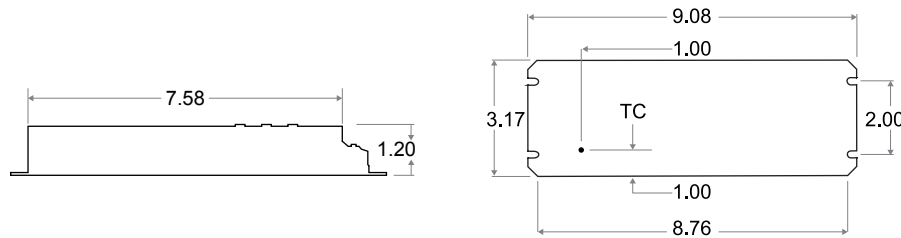
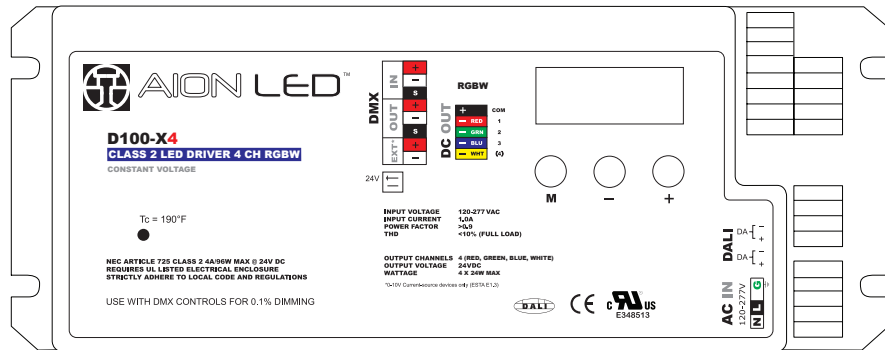


# X4

## 4 Channel DMX Driver



4 Channel DMX Driver

Factory Programmed for:  
RGBW+

Factory Wire Harness for Ease of  
Installation

Integrated Class 2 Supply

LCD interface

Universal 100-277VAC Input

UL, CE, & CSA APPROVED

Default Address 1

Requires UL Listed Enclosure

<b>MODEL</b>	D100-X4		
<b>CASE</b>	DRY & DAMP	<b>DIMENSIONS (L-W-H)"</b>	9.06 x 3.15 x 1.18"
<b>WATTAGE</b>	96W @ 24 VDC	<b>PRIMARY BREAKER</b>	AUTO-RESET
<b>INPUT VOLTAGE (Hz)</b>	100-277 VAC, 60HZ	<b>DIMMING</b>	0.1%
<b>INRUSH CURRENT</b>	120 VAC: 35A 240µs 277 VAC: 75A 240µs	<b>CONTROL TYPE</b>	Aion LED AX5-4 Controller, DTM or 3rd Party DMX Interface
<b>INPUT CURRENT</b>	120 VAC: 1.05A 277 VAC: 0.45A	<b>3RD PARTY DMX COMPATIBILITY</b>	Lutron, Vantage, Crestron, ETC AMX (ANY DMX)
<b>POWER FACTOR</b>	>0.94	<b>THERMAL CLASS</b>	(B) 130 C
<b>VOLTAGE LOADED</b>	23.5 VDC	<b>MAX FEET 8924-RGBW</b>	15
<b>VOLTAGE OPEN</b>	24.2 VDC		



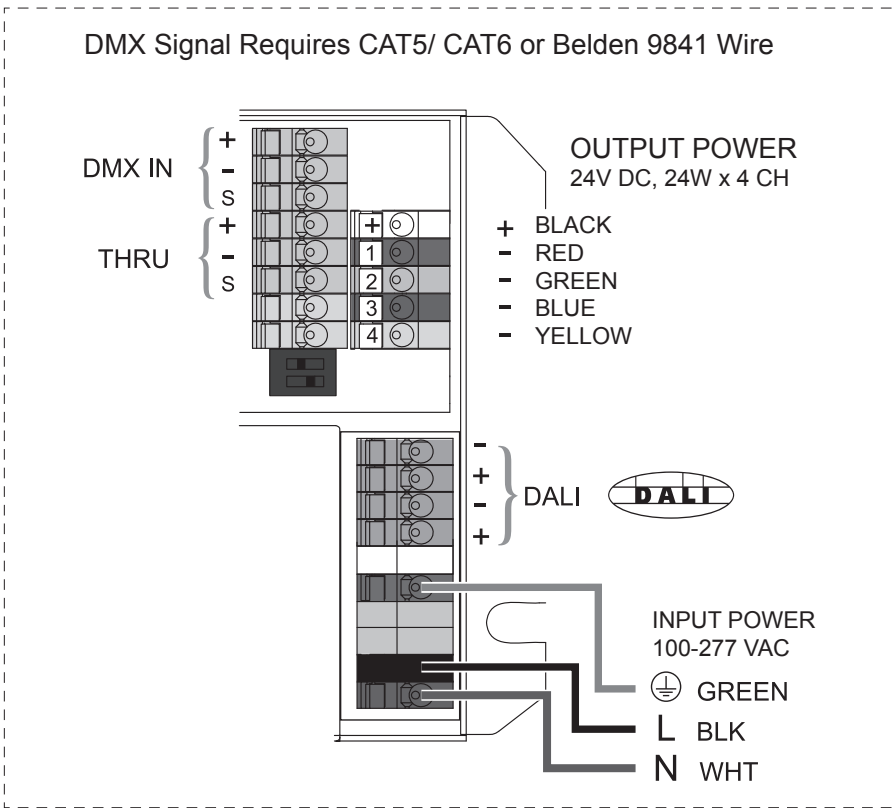
Components of a complete system include: Aion LED A-Track Light Engine, Aion LED A-Track housing with diffuser lens, & Aion LED driver (power supply). Dimmer not included. Approved dimmers, controls, power supplies, cable, & other components only. Contact Aion LED for questions regarding compatibility. Electrician installed. Strictly adhere to NEC & local building code. Limited 5-year warranty against manufacturing defects only, does not cover labor; voided by: inadequate ventilation, field modifications, installation by unqualified personnel, unapproved controls, drivers, cabling, other devices, not following installation guidelines & protocol, general negligence. Installer assumes all liability with regard to property & safety. This product is UL listed. See separate "Aion LED Warranty Terms" & additional instructional materials for more information. Authorized installers only. Systems tested prior to shipping.



AIONLED.COM | (415) 255-AION

Modified: March 15, 2018

© 2018 Aion LED. All Rights Reserved



INSTALL PER NEC

**Requires:**

DMX Controller & Control Wire Daisy-Chain

**Fixture Load:**

Requires 5 Conductor Cable

Black = Common POS +

Red, Green, Blue, Yellow = NEG -

**AC Input:**

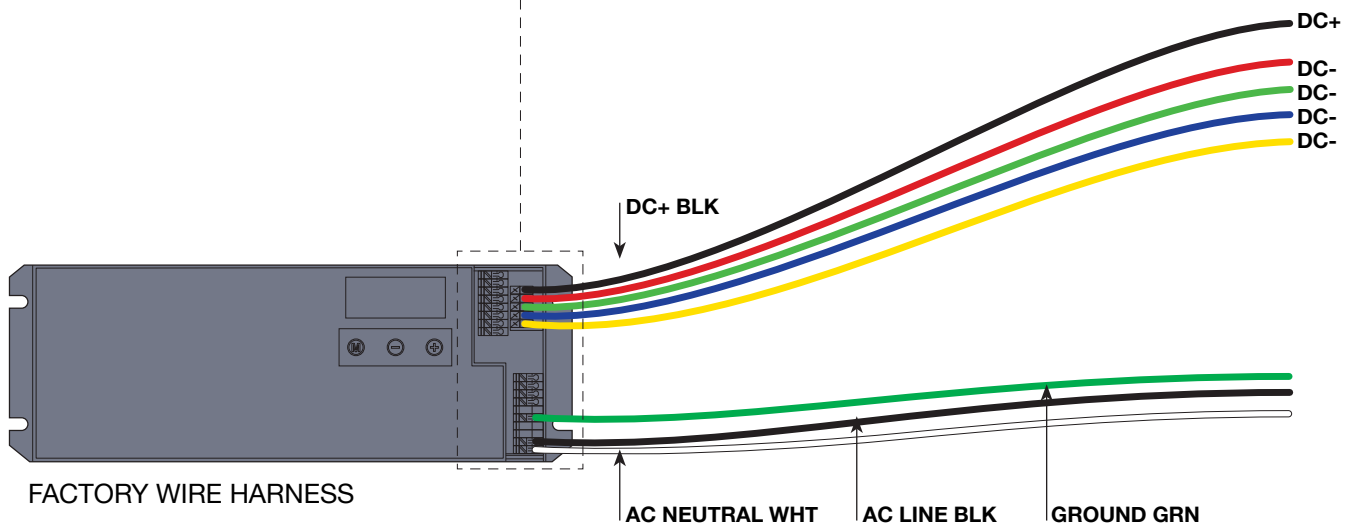
LINE (BLK)

NEUTRAL (WHT)

GROUND (GRN)

**Max Run**

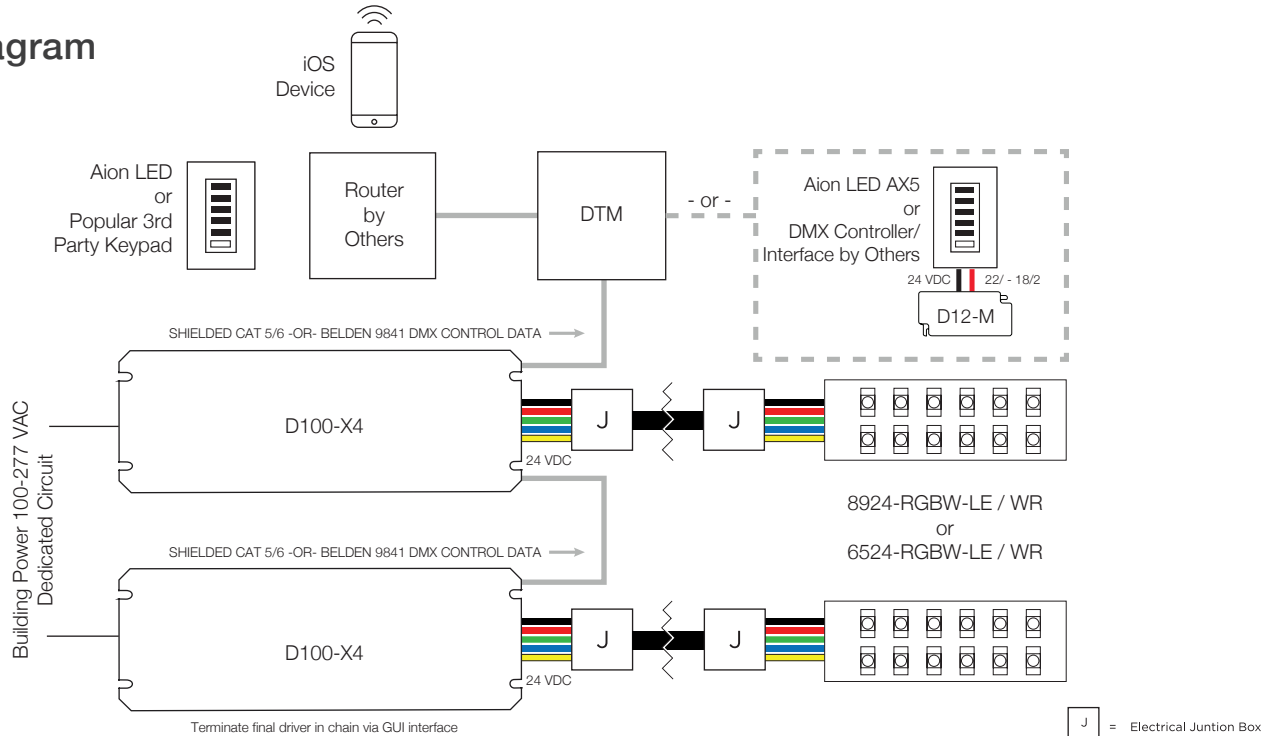
15 ft.



Components of a complete system include: Aion LED A-Track Light Engine, Aion LED A-Track housing with diffuser lens, & Aion LED driver (power supply). Dimmer not included. Approved dimmers, controls, power supplies, cable, & other components only. Contact Aion LED for questions regarding compatibility. Electrician installed. Strictly adhere to NEC & local building code. Limited 5-year warranty against manufacturing defects only, does not cover labor; voided by: inadequate ventilation, field modifications, installation by unqualified personnel, unapproved controls, drivers, cabling, other devices, not following installation guidelines & protocol, general negligence. Installer assumes all liability with regard to property & safety. This product is UL listed. See separate "Aion LED Warranty Terms" & additional instructional materials for more information. Authorized installers only. Systems tested prior to shipping.

## Wiring Diagram

D100-X4



## Installation Instructions

1. Install per NEC and Local code by qualified personnel
2. Requires UL Listed enclosure with adequate ventilation
3. Strain-relief wiring to enclosure to prevent wires from pulling out
4. Wire AC power with 18AWG power wire
5. Ensure that jacket goes all the way into connector
6. Connect DMX controller to 'DMX in' on first unit with Belden 9841 DMX wire (plus, minus, shield), - or- shielded CAT5/6
7. Daisy chain additional units from 'DMX out' to 'DMX' of following unit with Belden 9841 cable -or- shielded CAT5/6
8. Terminate only the final unit in DMX chain via programming interface
9. Wire fixture to wire harness with wire nuts [R, G, B, Y, DC+ (Black)]
10. Drivers are pre-programmed and tested at Aion LED for specific Aion LED fixtures. Each of the four D100-X series models (X1, X2, X3, X4) ship with a separate and unique Aion LED factory wiring harness for plug and play functionality and to eliminate mistakes in the field. Aside from changing the default DMX address (1) via supplied GUI interface, or activating "Termination" on the final unit in a control chain, only certified integrators and qualified personnel should attempt changing other settings. Default programming settings are for reference only.



Components of a complete system include: Aion LED A-Track Light Engine, Aion LED A-Track housing with diffuser lens, & Aion LED driver (power supply). Dimmer not included. Approved dimmers, controls, power supplies, cable, & other components only. Contact Aion LED for questions regarding compatibility. Electrician installed. Strictly adhere to NEC & local building code. Limited 5-year warranty against manufacturing defects only, does not cover labor; voided by: inadequate ventilation, field modifications, installation by unqualified personnel, unapproved controls, drivers, cabling, other devices, not following installation guidelines & protocol, general negligence. Installer assumes all liability with regard to property & safety. This product is UL listed. See separate "Aion LED Warranty Terms" & additional instructional materials for more information. Authorized installers only. Systems tested prior to shipping.

## Programming Guide

D100-X4

### USER MENU

**Highlighted Yellow** = User Defined

<b>M</b>	DMX Address = <b>1</b> Default
<b>M</b>	Network Resolution = 8 bit
<b>M</b>	Term = <b>No</b> terminate final driver in chain
<b>M</b>	Network Set = Manual
<b>M</b>	Interpolation = Color

### TO LOCK/ UNLOCK MODE MENU

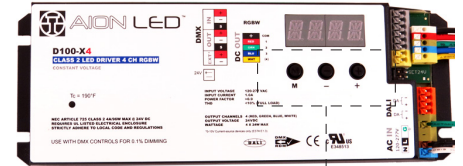
<b>M</b> + <b>+</b>	Hold for 3 seconds, then select (+) or (-) to lock or unlock
---------------------	--

### TO ACCESS OUTPUT MENU

<b>M</b> + <b>+</b>	Hold for 0.5 seconds LED =RGBW
<b>M</b>	External Input = OFF
<b>M</b>	Dim Curve = Log

### TO ACCESS MODE MENU

<b>M</b>	Hold for 3 seconds SET MODE = DMX
----------	--------------------------------------



Ensure all wiring is correct and properly terminated

Default DMX address is 1 and can be changed via GUI interface.

Drivers are pre-programmed and tested at Aion LED for specific Aion LED fixtures. Each of the four D100-X series models (X1, X2, X3, X4) ship with a separate and unique Aion LED factory wiring harness for plug and play functionality and to eliminate mistakes in the field.

Aside from changing the default DMX address (1) via supplied GUI interface, or activating "Termination" on the final unit in a control chain, only certified integrators and qualified personnel should attempt changing other settings. Default programming settings are for reference only.